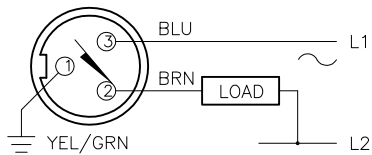


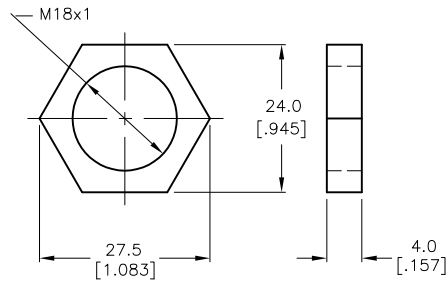
WIRING DIAGRAM



OUTPUT: ADZ30X2

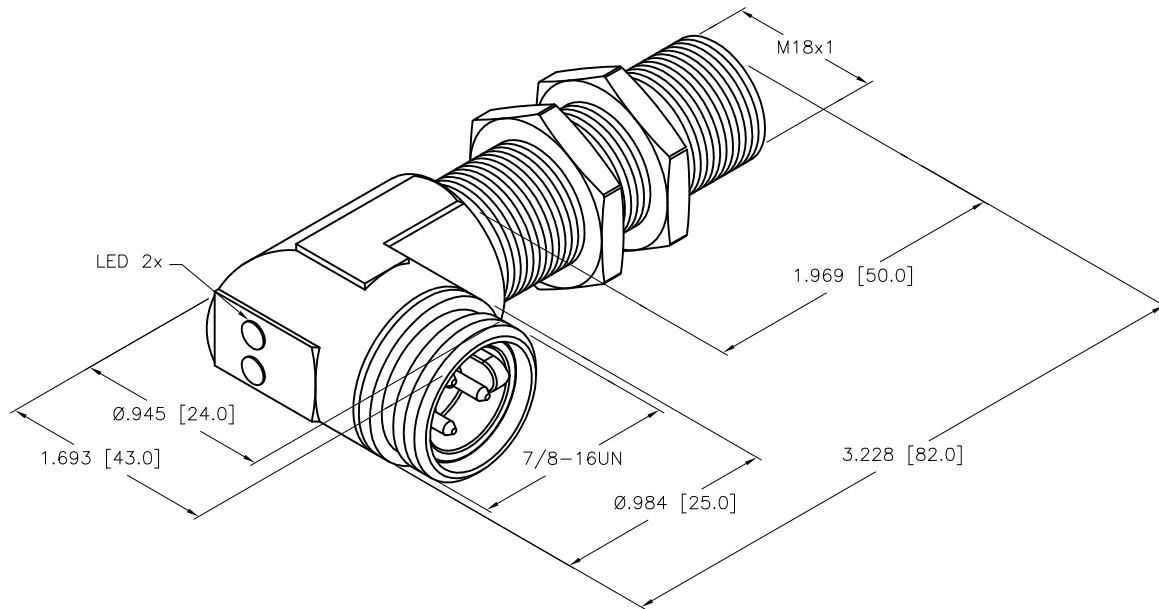
SHORT-CIRCUIT AND OVERLOAD PROTECTED

LOCKNUT LN-MT18



SPECIFICATIONS

RATED OPERATING DISTANCE	5mm [.197"]
MOUNTING MODE	FLUSH
HYSTERESIS	3-15%
MIN. REPEAT ACCURACY	≤ 2%
TEMPERATURE DRIFT	≤ ± 10%
OPERATING TEMPERATURE	-25°C to +70°C (-13°F to +158°F)
RATED OPERATIONAL VOLTAGE	20-250 VAC/10-300 VDC
RATED OPERATIONAL CURRENT (AC/DC)	≤ 400 mA/≤ 300 mA
MAINS FREQUENCY	50-60 Hz
MAX. OFF-STATE CURRENT	≤ 1.7 mA
RATED INSULATION VOLTAGE	≤ 1.5 kV
SURGE CURRENT	≤ 3.0 A (≤ 20 ms MAX. 5 Hz)
SHORT-CIRCUIT PROTECTED	YES
MAX. VOLTAGE DROP	≤ 6.0 V
REVERSE POLARITY PROTECTION	INCORPORATED
WIRE-BREAK PROTECTION	INCORPORATED
OUTPUT FUNCTION	2-WIRE, NORMALLY OPEN, AC/DC
SMALLEST OPERATING CURRENT	≥ 3.0 mA
MAX. SWITCHING FREQUENCY	≤ 0.03 kHz
HOUSING MATERIAL	BRASS, CHROME-PLATED (PTFE-COATED)
ACTIVE FACE	PLASTIC, PA12-GF20
CONNECTION	7/8-16UN
SHOCK	30 g, 11 ms
VIBRATION	55 Hz, 1 mm AMPLITUDE (IN ALL 3 PLANES)
DEGREE OF PROTECTION	IP67
SWITCHING STATUS INDICATION	2x LED: YELLOW/RED



SOURCE DRAWING - FOR REFERENCE ONLY

RELATED DOCUMENTS 1. 2. 3. 4.	3RD ANGLE PROJECTION 	THIS DRAWING IS CONFIDENTIAL AND THE PROPERTY OF TURCK INC. USE OF THIS DOCUMENT WITHOUT WRITTEN PERMISSION IS PROHIBITED.		3000 CAMPUS DRIVE MINNEAPOLIS, MN 55441 1-800-544-7769 (763) 553-7300 (763) 553-0708 fax www.turck.us	
		MATERIAL	DRFT RJP APVD	DATE 4/06/93 SCALE 1=1.0	DESCRIPTION BI5-GT18-ADZ30X2-B1431
FINISH	ALL DIMENSIONS DISPLAYED ON THIS DRAWING ARE FOR REFERENCE ONLY  CONTACT TURCK FOR MORE INFORMATION	UNIT OF MEASUREMENT <b>INCH [ MILLIMETER ]</b>		IDENTIFICATION NO. 4255690	REV F
F UPDATE ID NUMBER PER HARMONIZATION PROJECT REV DESCRIPTION	CBM 01/02/18 BY DATE ECO NO.	DO NOT SCALE THIS DRAWING		FILE: 4255690	SHEET 1 OF 1

F	UPDATE ID NUMBER PER HARMONIZATION PROJECT	CBM	01/02/18	
REV	DESCRIPTION	BY	DATE	ECO NO.